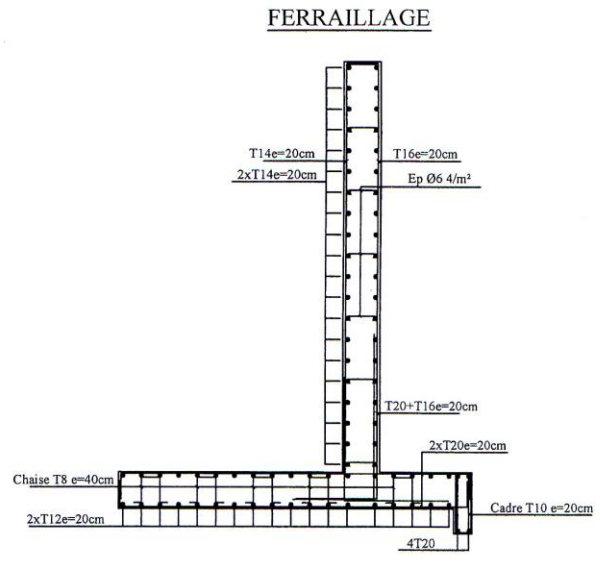
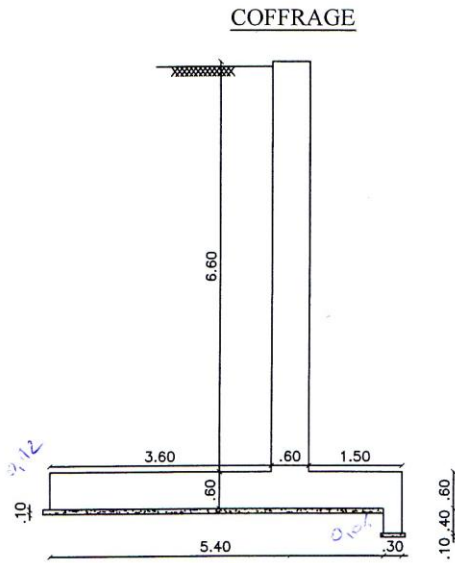
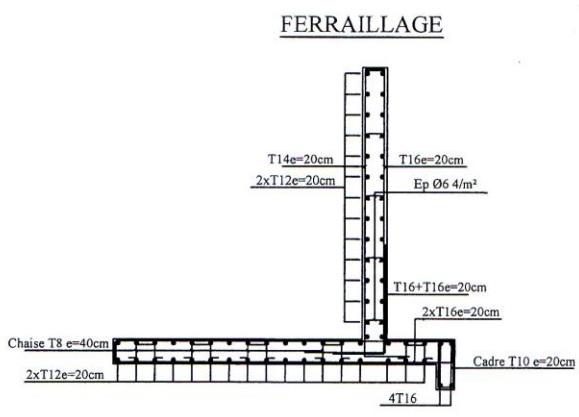
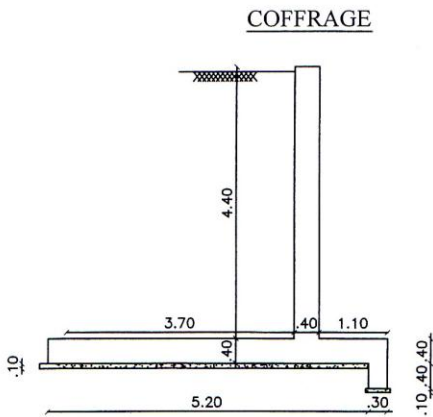


TP3: Plan de ferrailage

M.S. TYPE "1" 5.00m < H ≤ 7.20m



M.S. TYPE "2" 3.00m < H ≤ 5.00m



M.S. TYPE "3" H ≤ 3.00m

